

BOSS[®]



LINKED TOWER with Bridge Deck

3T Method - Through The Trapdoor

Instruction Manual

Contents

Safety First	1
Component Diagram	9
Component Quantity & Safety Data Schedule	10
Build Method	14
Pre-use Safety Inspection Checklist	25

Safety First

Introduction

Please read this instruction manual carefully.

Please note that diagrams are for illustrative purposes only.

Instruction manuals are also available to download from our website at www.bossaccesstowers.com

BoSS mobile aluminium towers are light-weight scaffold towers used throughout the building and construction industry for both indoor and outdoor access solutions where a stable and secure platform is required. Ideal for maintenance and installation work or short-term access, the highly versatile towers provide a strong working platform for a variety of heights.

The law requires that personnel erecting, dismantling, using or altering towers must be competent. Any person erecting or using a BoSS mobile tower must have a copy of this instruction manual. For further information on the use of mobile access and working towers consult the PASMA operators code of practice.

Verification and assessment documentation is held by Werner UK Sales & Distribution Ltd.

If you need further information, design advice, additional instruction manuals or any other help with this product, please contact Werner UK Sales & Distribution Ltd. on **+44 (0)1621 745900** or email **uk.customercare@wernerco.com**.

Safety First

Safe use

- Check overhead that the area into which the structure is to be erected contains no obstructions, particularly electrical or radio radiation hazards.
- The structure is highly conductive and must not be used when there is a risk of lightning strikes.
- Ensure the ground on which the mobile access tower is to be erected is capable of supporting the tower in use.
- Before each use:
 - Check that each prefabricated tower scaffold is complete and correctly assembled.
 - Check that the prefabricated tower scaffold is vertical and make any adjustments as required.
 - Check that no environment changes will affect the safe use of the structure.
- Adjustable legs should only be used for levelling purposes and never to gain extra height.
- Do not use ladders, steps, boxes or similar, to gain additional working height.
- Only climb the tower from the inside using the access method provided.
- Tower scaffolds are not designed to be lifted or suspended.
- Beware of horizontal forces (e.g. power tools) which could generate instability.

Maximum horizontal force per working bay = 30kg

- Tools and materials should be lifted using a reliable lifting material (e.g. a strong rope) employing a reliable knot (e.g. clove hitch) to ensure safe fastening and always lift within the footprint of the prefabricated tower scaffold (i.e. within the area bounded by the stabilisers).
- Use good manual handling techniques when handling tower components.

Safety First

Safe use

- Safe working loads, normally expressed in kN/m², are expressed below in kg per defined working area.



1.8m Long Main Towers linked with 3.2m long decks			
Defined working area	Max. safe working load (uniformly distributed including persons)	Load class	Max. no. of persons*
A x Z	834kg	1	2
B x Z	275kg		
C x Z	284kg		

2.5m Long Main Towers linked with 3.2m long decks			
Defined working area	Max. safe working load (uniformly distributed including persons)	Load class	Max. no. of persons*
A x Z	834kg	1	2
B x Z	275kg		
C x Z	284kg		

*Persons are assumed to be 122kg (Reference to HSE - Revision of body size criteria in standards protecting people who work at height - Research report 342)

Access classes

The Access Class provided for climbing this tower is: Access Class 'D' (Vertical Ladder).

Lifting of individual tower components

- Raising and lowering components, tools and/or materials by rope should be conducted within the tower base (i.e. within the area bounded by the stabilisers). Ensure that the safe working load of the supporting decks and the tower structure is not exceeded.

Safety First

Movement of the assembled prefabricated tower scaffold

Ensure gloves or other suitable hand protection is worn.

BEFORE

The safe movement of any prefabricated tower scaffold shall be included in a specific risk assessment and take into account:

Site conditions:

- Ground surface (such as potholes, unstable surfaces, inclines).
- Overhead obstructions (such as live electrical cables or building members).
- Wind conditions.
- Dimensions of the tower structure (a shorter tower will be more stable during movement - see PASMA guidance).
- Consequences of overturning.

If the site conditions are not adequate to permit the safe movement of a mobile tower structure, then it must not be moved.

DURING

Mobile tower structures shall be moved with the utmost caution:

- Any stabilisers fitted must remain in position and raised no more than 25mm from the ground.
- Prefabricated tower structures must only be pushed using manual effort at or near the base.
- Movement of a mobile tower structure shall be no faster than 0.25m/s (very slow walking pace) and sufficient number of persons shall be used to ensure the movement is fully under control.
- No persons, tools or materials shall be left on the mobile tower structure during movement.
- Ensure all castors are unlocked.
- Beware of ground level and overhead obstructions, uneven or sloping ground, sudden changes of levels (holes, voids, kerbs).

AFTER

- After movement, the pre-use checklist on the final page shall be used to determine tower integrity.

Safety First

Maintenance - storage - transport

- All components and their parts should be regularly inspected to identify damage, particularly to joints. Lost or broken parts should be replaced and any tubing with indentation greater than 5mm shall be replaced. Adjustable leg threads should be cleaned and lightly lubricated to keep them free running.
- Brace claws, frame interlock clips, trapdoor latches, camlocks and platform wind-locks should be regularly checked to ensure they lock correctly.
- Refer to the BoSS Inspection Manual for detailed inspection and maintenance advice: www.bossaccesstowers.com.
- Components should be stored in clean, dry conditions with due care to prevent damage.
- Ensure components are not damaged by excessive strapping forces when transported.

During assembly, use and dismantling

- As part of the risk assessment, wind conditions must be taken into account and reviewed regularly, depending on the duration the structure is onsite.
- The structure has been assessed for wind loads equating to 27mph (43kph, 12m/s).
- The effect of wind conditions on site must be considered prior to the assembly of a tower. The tower must not be used in wind speeds beyond 27mph. If greater wind speeds are forecast, the tower must be dismantled while it is still safe to do so.
- Sheets, tarpaulins, cladding or similar, must not be attached to the tower as these will significantly increase any side loads from wind and will potentially make the tower unstable.
- Beware of wind turbulence, funnelling effects around buildings and updrafts on stairways.

The maximum allowable side load on a tower is 30kg.

- **CAUTION:** Excessive side loads due to working from the tower may cause the structure to become unstable. Special consideration should be given to side loads including vibrations.
- Do not abuse equipment. Damaged, incorrect or incompatible components should not be used.
- The structure is highly conductive and must not be used when there is a risk of lightning strikes.

Safety First

During assembly, use and dismantling

- Exercise caution when touching unprotected metal components in extreme high or low temperatures.
- If the tower is damaged in any way while in service, it must not be used again until the damaged components are replaced.

Wind description	Beaufort scale	Beaufort no.	Speed in mph	Speed in m/sec
Medium Breeze	Raises dust and loose paper, twigs snap off	4	8-12	4-6
Strong Breeze	Large branches in motion, telegraph wires whistle	6	25-31	11-14
Gale Force	Walking is difficult	8	39-46	17-21

Ties

This structure is designed to be self-supporting under the loading condition requirements of BS 1139-6:2014 and does not require tying in. Consideration should be given to potential wind conditions if the tower is left unattended - see 'During Assembly, Use and Dismantling' section above.

Tower designation & safety data

In accordance with the prefabricated tower scaffold standards, the 'Tower Designation & Safety Data' should be positioned at the base of the prefabricated tower scaffold as shown within the instruction manual, by means of the 'Tower Designation Information Assembly'. It must be clearly visible so that users are aware of the conditions of safe use. Refer to Safety Data Schedule for content.

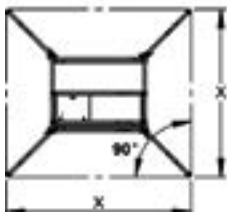
Stabilisers

- Stabilisers should always be fitted when specified. See quantity schedule on pages 10 - 13.
- Attach one stabiliser to each corner of the tower as shown. During assembly, ensure stabilisers feet are equally spaced to form a square.
- Before use, ensure stabilisers have been repositioned according to build method on page 23.

Safety First

Stabilisers

DURING ASSEMBLY

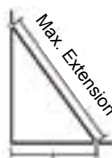


BEFORE USE



- Telescopic stabilisers must always be fully extended.
- Position the lower clamp so that the lower arm is as close to horizontal as possible. Adjust the position of the upper clamp to ensure the stabiliser foot is in contact with the ground. Ensure clamps are secure.

	y
SP7	1227
SP10	2241
SP15	2757



Assembly Procedure

This tower structure must be assembled, and components oriented, in accordance with this instruction manual. Deviation from this instruction manual is not permitted.

A minimum of two persons are recommended for assembly and disassembly of this prefabricated tower structure. The maximum number of persons on the tower during assembly is stated in the safety data schedule.

Platforms must be installed with vertical distances between them not exceeding 2m when assembling and dismantling. The maximum number of people on a working platform level permitted to simultaneously exert a horizontal load of 30kg is:

- 1 person per bay for bays less than 4m long
- 2 persons per bay for bays greater than 4m in length

Check that all components, tools and safety equipment are on site (refer to quantity schedule) undamaged and that they are functioning correctly, particularly the brace claw locking mechanism.

Full inspection guidance can be found at www.bossacesstowers.com. Damaged or incorrect components should not be used.

Component weights can be found in the quantity schedule and on the corresponding BoSS Product Datasheets.

Safety First

Assembly Procedure

Check that the ground on which the tower structure is to be erected and moved is capable of supporting the tower in use and within the levelling limits of the tower system.

Check overhead that the area into which the tower structure is to be built contains no obstructions, particularly electrical or radio radiation hazards.

When positioning the tower take into account risk of collision with the tower e.g. from pedestrians, vehicles or doors. Secure doors (not fire exits) and windows where possible in the work area.

Never stand on an unguarded platform positioned above the first rung of a tower structure. If your risk assessment shows it necessary, you may also need to guardrail platforms at this level.

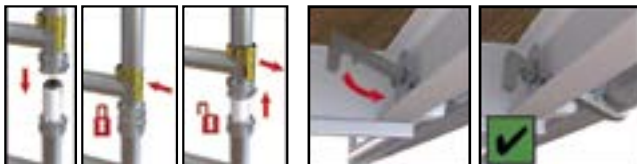
Tower components should be lifted using a reliable lifting material (e.g. a strong rope) employing a reliable knot (e.g. clove hitch) to ensure safe fastening and always lift within the footprint of the tower structure.

'Tower Designation & Safety Data' content for the 'Tower Designation Information Assembly' can be found in the 'Safety Data Schedule'. This assembly must be positioned at the base of the prefabricated tower scaffold and clearly visible for users. Refer to Safety Data Schedule for content.

Adjustable legs should only be used for levelling purposes and never to gain extra height.



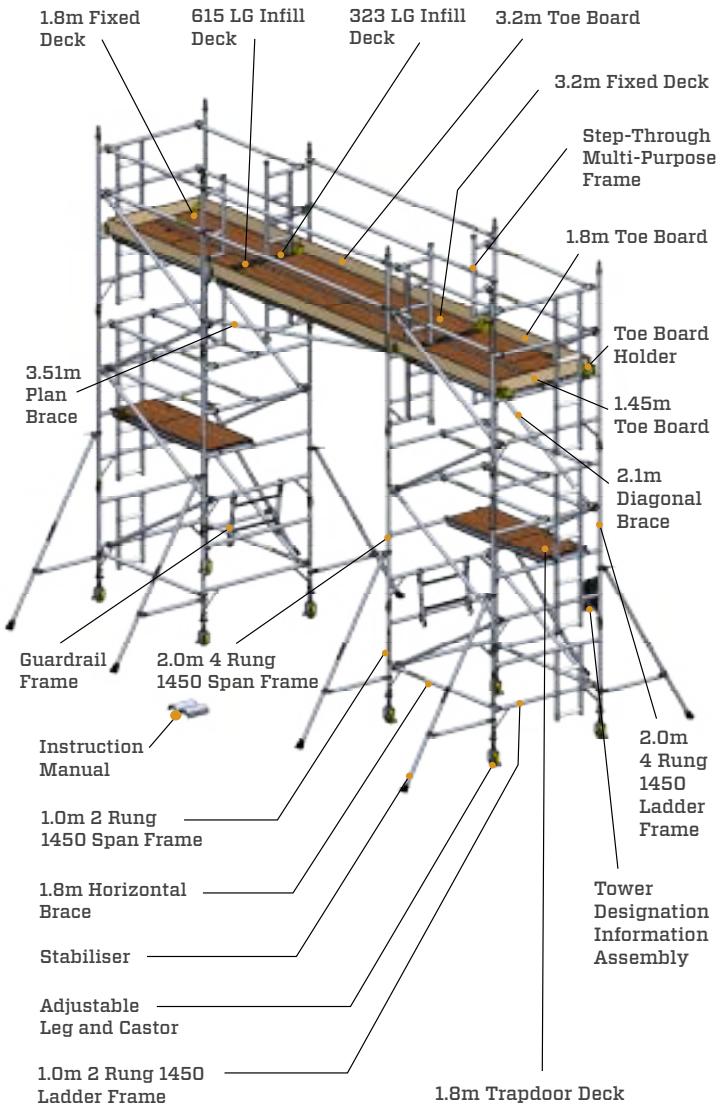
Ensure horizontal braces and guardrails are fitted correctly.



Ensure interlock clips on frame members are in the 'locked' position.

Ensure wind-locks are engaged before moving onto the deck levels.

Component Diagram



BoSS Linked Tower with Bridge Deck 1.8m Long main towers linked with 3.2m long decks

3T METHOD		Component description and weight	Composite code	Internal or external use												
				32601200	32602200	32602700	32603200	32603700	32604200	32604700	32605200	32605700	32606200			
				Working height (m)	4.2	4.7	5.2	5.7	6.2	6.7	7.2	7.7	8.2			
33551300	Adjustable Leg	1.1 kg	8	8	8	8	8	8	8	8	8	8	8	8	8	8
32842300	Ø150mm (6") Castor	3.3 kg	8	8	8	8	8	8	8	8	8	8	8	8	8	8
60551300	Span Frame MK2 - 1.0m - 2 rung - 1450 wide	4.0 kg	-	2	-	-	-	2	-	2	-	-	-	2	-	2
60451300	Span Frame MK2 - 1.5m - 3 rung - 1450 wide	5.6 kg	-	-	2	-	-	2	-	2	-	-	-	2	-	2
60351300	Span Frame MK2 - 2.0m - 4 rung - 1450 wide	7.1 kg	-	-	-	-	2	-	2	2	2	4	2	2	2	4
61151300	Ladder Frame MK3 - 1.0m - 2 rung - 1450 wide	5.4 kg	-	2	-	-	-	2	-	2	-	-	-	2	-	2
61051300	Ladder Frame MK3 - 1.5m - 3 rung - 1450 wide	8.0 kg	-	-	2	-	-	2	-	2	-	-	-	2	-	2
60951300	Ladder Frame MK3 - 2.0m - 4 rung - 1450 wide	10.4 kg	2	2	2	4	4	2	4	2	4	6	4	2	4	6
39951300	Step-Through Multi-Purpose Frame	12.0 kg	2	2	2	2	2	2	2	2	2	2	2	2	2	2
63851400	Guardrail Frame	3.4 kg	2	2	2	2	2	2	2	2	2	2	2	2	2	2
31251300	1.8m Horizontal Brace	2.0 kg	12	12	20	20	20	20	20	20	28	28	28	28	28	28
31351300	2.1m Diagonal Brace	2.1 kg	4	8	12	16	16	16	16	16	20	20	24	24	24	24
34951300	3.2m Horizontal Brace	3.4 kg	4	4	4	4	4	4	4	4	4	4	4	4	4	4
60430300	3.51m Plan Brace	3.7 kg	1	1	1	1	1	1	1	1	1	1	1	1	1	1
30451100	1.8m Trapdoor Deck	12.7 kg	2	2	2	4	4	4	4	4	4	6	6	6	6	6
30151100	1.8m Fixed Deck	11.8 kg	2	2	4	2	2	2	2	2	4	2	2	2	2	2
30351100	3.2m Fixed Deck	22.8 kg	2	2	2	2	2	2	2	2	2	2	2	2	2	2
35851100	0.6m Infill Deck	0.9 kg	2	2	2	2	2	2	2	2	2	2	2	2	2	2
35751100	0.3m Infill Deck	0.6 kg	2	2	2	2	2	2	2	2	2	2	2	2	2	2

31751300	Stabiliser - SP7 - Saddle Blade Clamp	3.8 kg	8	8	8	8	8	8	-	-	-	-
31851300	Stabiliser - SP10 - Saddle Blade Clamp	8.8 kg	-	-	-	-	-	-	8	8	8	8
30150900	Toe Board Holder	0.3 kg	8	8	8	8	8	8	8	8	8	8
30350900	1.45m End Toe Board	2.1 kg	2	2	2	2	2	2	2	2	2	2
30450900	1.8m Side Toe Board	3.2 kg	4	4	4	4	4	4	4	4	4	4
30650900	3.2m Side Toe Board	7.2 kg	2	2	2	2	2	2	2	2	2	2
30001900	Tower Designation Information Kit	- kg	1	1	1	1	1	1	1	1	1	1
03302100	Instruction Manual	- kg	1	1	1	1	1	1	1	1	1	1
	Total Self-weight of Tower (kg) >		298	326	382	392	411	419	515	525	544	552
	Max. Leg Load Exerted (kg) >		190	210	230	260	270	290	300	310	320	330
	Max. No. of persons on any one platform unit >		2	2	2	2	2	2	2	2	2	2
	Max. No. of persons permitted on the tower during assembly & dismantling >		2	2	2	2	2	2	2	2	2	2
	Max. No. of simultaneous working platforms permitted >		1	1	1	1	1	1	1	1	1	1
	Max. No. of persons permitted on the working platform during use >											
	Highest working platform during use >		2	2	2	2	2	2	2	2	2	2
	2nd/3rd/4th/5th/6th Highest working platform during use >		-	-	-	-	-	-	-	-	-	-
	Max. safe working load on the working platform (kg u.d.l) >		834	834	834	834	834	834	834	834	834	834
	Highest working platform (kg u.d.l) >		-	-	-	-	-	-	-	-	-	-
	2nd/3rd/4th/5th/6th Highest working platform (kg u.d.l) >		834	834	834	834	834	834	834	834	834	834
	Max. safe working load on the entire tower scaffold (kg u.d.l) >		1.2	2.2	2.7	3.2	3.7	4.2	4.7	5.2	5.7	6.2
	Max. working platform height for internal use (m) >		1.2	2.2	2.7	3.2	3.7	4.2	4.7	5.2	5.7	6.2
	Max. working platform height for external use (m) >		1.2	2.2	2.7	3.2	3.7	4.2	4.7	5.2	5.7	6.2
	Design standard >		BS1139-6	BS1139-6	BS1139-6	BS1139-6	BS1139-6	BS1139-6	BS1139-6	BS1139-6	BS1139-6	BS1139-6
	Load class >		1	1	1	1	1	1	1	1	1	1
	Access class >		D	D	D	D	D	D	D	D	D	D
	Clear height class >		-	-	H ₂	H ₂	H ₂	H ₂	H ₂	H ₂	H ₂	H ₂

NOTE:

The safety data specified within the schedule above which relates to the specific tower to be assembled must be transferred into the pre-defined boxes on the Tower Designation Information insert found in the Tower Designation Information Kit.

BoSS Linked Tower with Bridge Deck 2.5m Long main towers linked with 3.2m long decks

Component code		Component description and weight	Composite code	Internal or external use											
				32601200	32602200	32602700	32603200	32603700	32604200	32604700	32605200	32605700	32606200		
				Working height (m)	4.2	4.7	5.2	5.7	6.2	6.7	7.2	7.7	8.2		
		Platform height (m)	1.2	2.2	2.7	3.2	3.7	4.2	4.7	5.2	5.7	6.2			
33551300	Adjustable Leg	1.1 kg	8	8	8	8	8	8	8	8	8	8	8		
32842300	Ø150mm (6") Castor	3.3 kg	8	8	8	8	8	8	8	8	8	8	8		
60551300	Span Frame MK2 - 1.0m - 2 rung - 1450 wide	4.0 kg	-	2	-	-	2	2	-	-	2	2	2		
60451300	Span Frame MK2 - 1.5m - 3 rung - 1450 wide	5.6 kg	-	-	2	-	2	-	2	-	2	2	2		
60351300	Span Frame MK2 - 2.0m - 4 rung - 1450 wide	7.1 kg	-	-	-	2	-	2	2	2	2	2	2		
61151300	Ladder Frame MK3 - 1.0m - 2 rung - 1450 wide	5.4 kg	-	2	-	-	2	2	-	-	2	2	2		
61051300	Ladder Frame MK3 - 1.5m - 3 rung - 1450 wide	8.0 kg	-	-	2	-	2	-	2	-	2	-	-		
60951300	Ladder Frame MK3 - 2.0m - 4 rung - 1450 wide	10.4 kg	2	2	2	4	2	4	2	4	6	4	6		
39951300	Step-Through Multi-Purpose Frame	12.0 kg	2	2	2	2	2	2	2	2	2	2	2		
63851400	Guardrail Frame	3.4 kg	2	2	2	2	2	2	2	2	2	2	2		
31251300	1.8m Horizontal Brace	2.4 kg	12	12	20	20	20	20	20	28	28	28	28		
31351300	2.1m Diagonal Brace	2.5 kg	4	8	12	12	16	16	16	20	20	24	24		
34951300	3.2m Horizontal Brace	3.4 kg	4	4	4	4	4	4	4	4	4	4	4		
60430300	3.51m Plan Brace	3.7 kg	1	1	1	1	1	1	1	1	1	1	1		
30451100	1.8m Trapdoor Deck	16.3 kg	2	2	2	4	4	4	4	4	6	6	6		
30151100	1.8m Fixed Deck	16.0 kg	2	2	4	2	2	2	2	2	2	2	2		
30351100	3.2m Fixed Deck	22.8 kg	2	2	2	2	2	2	2	2	2	2	2		
35851100	0.6m Infill Deck	0.9 kg	2	2	2	2	2	2	2	2	2	2	2		
35751100	0.3m Infill Deck	0.6 kg	2	2	2	2	2	2	2	2	2	2	2		

31751300	Stabiliser - SP7 - Saddle Blade Clamp	3.8 kg	8	8	8	8	8	8	8	-	-	-	-
31851300	Stabiliser - SP10 - Saddle Blade Clamp	8.8 kg	-	-	-	-	-	-	8	8	8	8	8
30150900	Toe Board Holder	0.3 kg	8	8	8	8	8	8	8	8	8	8	8
30350900	1.45m End Toe Board	2.1 kg	2	2	2	2	2	2	2	2	2	2	2
30450900	1.8m Side Toe Board	4.4 kg	4	4	4	4	4	4	4	4	4	4	4
30650900	3.2m Side Toe Board	7.2 kg	2	2	2	2	2	2	2	2	2	2	2
30001900	Tower Designation Information Kit	- kg	1	1	1	1	1	1	1	1	1	1	1
03302100	Instruction Manual	- kg	1	1	1	1	1	1	1	1	1	1	1
Total Self-weight of Tower (kg) >			325	424	432	453	461	570	579	600	600	608	608
Max. Leg Load Exerted (kg) >			240	280	300	320	340	350	360	370	370	380	380
Max. No. of persons on any one platform unit >			2	2	2	2	2	2	2	2	2	2	2
Max. No. of persons permitted on the tower during assembly & dismantling >			2	2	2	2	2	2	2	2	2	2	2
Max. No. of simultaneous working platforms permitted >			1	1	1	1	1	1	1	1	1	1	1
Max. No. of persons permitted on the working platform during use >													
Highest working platform during use >			2	2	2	2	2	2	2	2	2	2	2
2nd/3rd/4th/5th/6th Highest working platform during use >			-	-	-	-	-	-	-	-	-	-	-
Max. safe working load on the working platform (kg u.d.l.) >			834	834	834	834	834	834	834	834	834	834	834
Highest working platform (kg u.d.l.) >			-	-	-	-	-	-	-	-	-	-	-
2nd/3rd/4th/5th/6th Highest working platform (kg u.d.l.) >			834	834	834	834	834	834	834	834	834	834	834
Max. safe working load on the entire tower scaffold (kg u.d.l.) >			1.2	2.2	2.7	3.2	3.7	4.2	4.7	5.2	5.7	6.2	6.2
Max. working platform height for internal use (m) >			1.2	2.2	2.7	3.2	3.7	4.2	4.7	5.2	5.7	6.2	6.2
Max. working platform height for external use (m) >			BS1139-6	BS1139-6	BS1139-6	BS1139-6	BS1139-6	BS1139-6	BS1139-6	BS1139-6	BS1139-6	BS1139-6	BS1139-6
Design standard >			BS1139-6	BS1139-6	BS1139-6	BS1139-6	BS1139-6	BS1139-6	BS1139-6	BS1139-6	BS1139-6	BS1139-6	BS1139-6
Load class >			1	1	1	1	1	1	1	1	1	1	1
Access class >			D	D	D	D	D	D	D	D	D	D	D
Clear height class >			-	H ₂	H ₂	H ₂	H ₂	H ₂	H ₂	H ₂	H ₂	H ₂	H ₂

NOTE:

The safety data specified within the schedule above which relates to the specific tower to be assembled must be transferred into the pre-defined boxes on the Tower Designation Information insert found in the Tower Designation Information Kit.

Build method

1.2m working platform height shown*



Build pattern - type 1
Tower working
platform heights:
1.2m, 3.2m, 5.2m

3.7m working platform height shown*



Build pattern - type 2
Tower working
platform heights:
3.7m, 5.7m

*Note: Decks and guardrails omitted from views for clarity.

Build method

2.2m working platform height shown*



Build pattern - type 3
Tower working
platform heights:
2.2m, 4.2m, 6.2m

2.7m working platform height shown*



Build pattern - type 4
Tower working
platform heights:
2.7m, 4.7m

*Note: Decks and guardrails omitted from views for clarity.

Build Method

When building a BoSS tower

- To comply with 'Work at Height Regulations' we show assembly procedures with platforms every two metres in height and the locating of guardrails in advance of climbing onto a platform to increase safety and reduce the risk of a fall.
- Never stand on an unguarded platform positioned above the first rung of a tower. If your risk assessment shows it necessary, you may also need to guardrail platforms at this level.

The procedure illustrated shows a 6.2m working height tower build. For alternative tower height build patterns see pages 15 and 16.

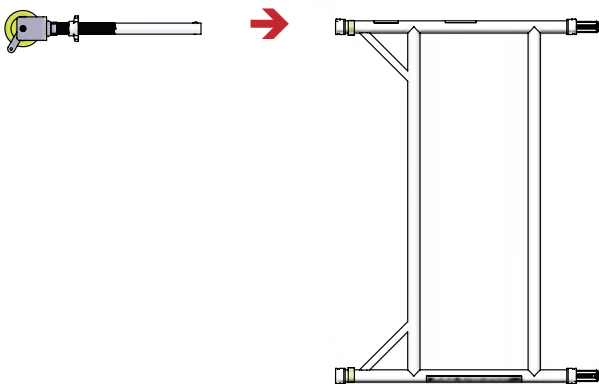
The manufacturer recommend two persons are used to build BoSS Towers. Above 4.0m platform height, it is essential that at least two persons are used. Only climb the tower from the inside.

The manufacturer recommend the 'Tower Designation & Safety Data' is recorded within the 'Tower Designation Information Assembly' before proceeding with the tower assembly. Refer to Safety Data Schedule for content.

1 Push castor into adjustable leg. Push castor/leg assembly into the 2 rung frame and lock the castor. Repeat for the other side of the frame. It is recommended, for ease of levelling, that a maximum gap of 50mm is left between the bottom of the leg and the adjustable nut.

Ensure all castors are locked.

Note: Adjustable legs are for levelling only. They are not to be used to gain extra height at the working level.



Build Method

Safe use

- 2** Fit one horizontal brace (red catch) onto the vertical of the 2 rung span frame, just below the bottom rung with the open section of the claw facing outwards.



Note: All locking claws must be opened before fitting and positively locked into position.

- 3** Repeat step 1 for the 2 rung ladder frame and position it as shown and fit the other end of the horizontal brace onto the vertical, just below the bottom rung of span frame. Fit the second horizontal brace between the bottom rungs on the other side of the frame to square the structure.

Ensure all claws are positively locked into position.

The structure must be vertical to within 1cm per metre.

Ensure the frames are vertical and level by checking with a spirit level and setting the adjustable legs as required.



Build Method

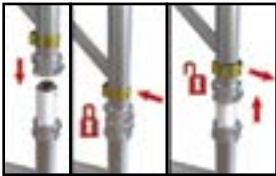
When building a BoSS tower

- 4** Fit the 4 rung ladder frame and the 4 rung span frame to the structure base. Fit four diagonal braces in positions shown.

Ensure all claws are positively locked into position.

Ensure inbuilt ladders are aligned.

For alternative tower height build patterns see pages 15 and 16.



Ensure interlock clips on frame members are in the 'locked' position.



- 5** Repeat step 1-4 for the other base and position both subassemblies 3200mm apart with the ladders oriented as shown. Ensure all castors are locked.

Record 'Tower Designation & Safety Data' within the 'Tower Designation Information Assembly' and attach to the tower in position shown. Refer to safety data schedule for content.



*Not to scale, subassemblies should be 3200mm apart.

Build Method

6 Fit the trapdoor deck on the fourth rungs of the tower. The trapdoor deck must be oriented such that the trapdoor opens towards the outside of the structure. Ensure the deck wind-locks are engaged.

From the protected trapdoor position, fit guardrails at 0.5m and 1.0m above the platform level.

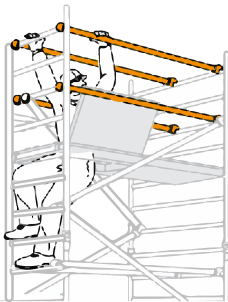
Ensure trapdoor is directly aligned with inbuilt ladder.

Ensure all claws are positively locked into position.

Do not climb on the deck until all guardrails are in place.



*Not to scale, subassemblies should be 3200mm apart.



3T - Protected trapdoor position.



Ensure all wind-locks are engaged.

Build Method

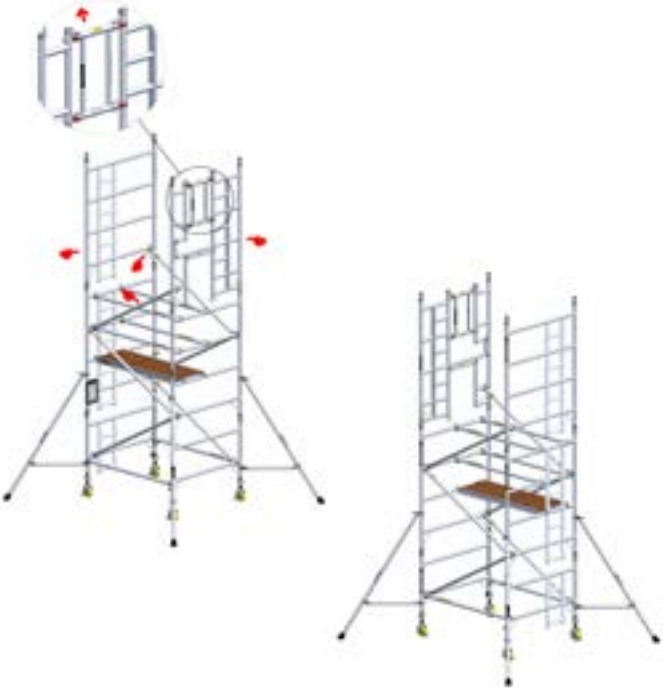
- 7** Fit eight stabilisers as shown. See page 8 for details.
Telescopic stabilisers must always be fully extended.
Note: Position lower clamps so that the lower arm is as close to horizontal as possible. Adjust the position of the top clamp to ensure the stabiliser foot is in firm contact with the ground. Ensure clamps are secure.



*Not to scale, subassemblies should be 3200mm apart.

Build Method

- 8** Fit the guardrail frame to the step-through multi-purpose ladder frame, ensuring all claws are positively locked into position and add the subassembly to the structure. Ensure that the guardrail detaches inwards, as indicated with an arrow. Fit another 4 rung ladder frame and add two diagonal braces in positions shown. Repeat this step for the other tower as shown, ensuring that the guardrail detaches inwards.



*Not to scale, subassemblies should be 3200mm apart.

Build Method

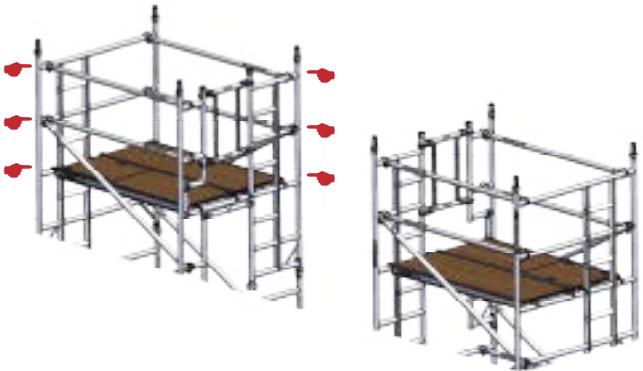
9 Fit the fixed deck and trapdoor deck 2.0m above the previous level. Ensure all wind-locks are engaged. Note the orientation of the trapdoor. From the protected trapdoor position, fit guardrails at 0.5m and 1.0m (in that order) above the platform level. Fit two diagonal braces in positions shown.

Ensure all claws are positively locked into position.

Ensure trapdoor is directly aligned with inbuilt ladder as shown.

Repeat for the other tower noting the orientation of the trapdoor.

Do not climb on the deck all guardrails are in place.



Build Method

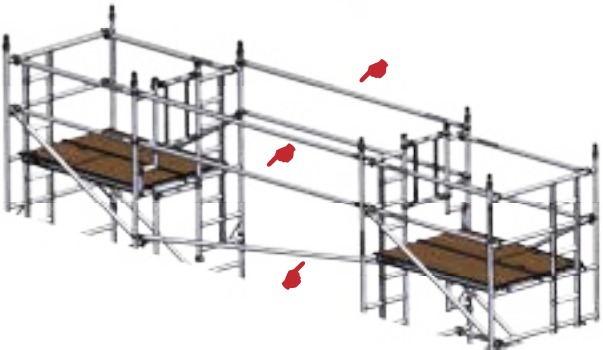
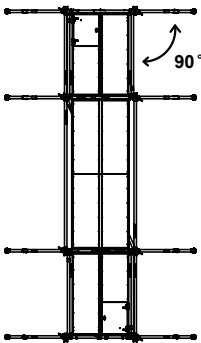
10 Fit four 3.2m horizontal braces on the uprights of the step-through multi-purpose ladder frame just above rungs as shown with the open section of the claw facing outwards. Fit the 3.5m plan brace between the uprights of both towers in position shown.

Ensure all claws are positively locked into position.

Reposition the stabilisers - see image below.

Note: Ensure all persons, materials and tools are removed from the tower before repositioning the stabilisers.

STABILISER POSITION



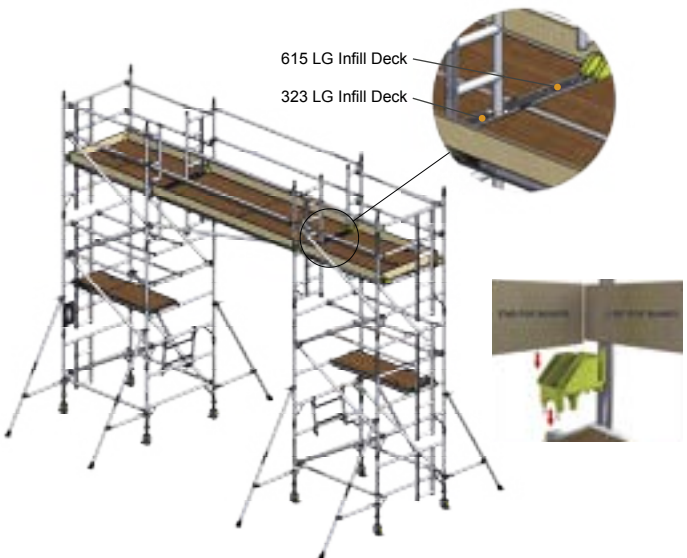
Build Method

- 11** From the protected position within the main towers, fit two fixed decks between towers, as shown. Ensure all wind-locks are engaged.



- 12** Fit 0.3m and 0.6m infill decks. Fit toe board holders and toe boards around the edges of top decks as show. Temporary guardrails to be stored in position shown.

The tower is now complete.



Build Method

To dismantle a BoSS tower:

Simply follow the assembly steps in reverse, ensuring that the 3T method is followed.

Pre-use Safety Inspection Checklist

Description	Yes
Tower structure upright and level	
Castors locked and legs correctly adjusted	
Horizontal and diagonal braces fitted	
Stabilisers fitted as specified	
Platforms located and wind-locks engaged	
Interlock clips engaged	
Toe boards located	
Guardrails fitted correctly and positively locked	
Infill decks fitted correctly	
Tower designation information kit fitted	

This checklist should be actioned at intervals determined by the manager. This checklist should also be actioned if the tower has been moved or modified, if any damage is suspected or if there are any changes to the local environment that may affect tower stability.

For further information about this product or any other products and services, please contact:

Blackwater Trading Estate,
The Causeway, Maldon,
Essex, CM9 4LJ,
United Kingdom

☎ +44 (0)1621 745900

☎ +44 (0)1621 859845

✉ uk.customercare@wernerco.com

🌐 bossaccessstowers.com

Members of:



PN03302100

©2021 WernerCo Rev. B 09/21